

The Revolver RT 508 Portable Trommel Screening Plant

www.revolvertrommels.com



Applications

Engineered to produce high volumes of;

- Topsoil; Loam; Black dirt;
- Mulch & compost material;
- Recycling & salvage;
- Construction & demolition debris;
- Woodwaste & regrind;

www.revolvertrommels.com

Built in North America to exceed North American Standards

Revolver CHR4030 Portable Radial Stacking Conveyor

- 40' Long x 30" belt
- Stockpile capacity approx. 250 cu. yds;
- Hydraulic raise & lower;
- Mechanical radial;
- Hydraulic head pulley drive;



www.revolvertrommels.com

Built in North America to exceed North American Standards

Productive, Versatile - "Low Cost Per Ton"



Ground level brush adjustment

5' x 8' "Quick change" drum, reversible;
 4 wheel drive, variable speed, one piece screen;
 4 1/2 Cu. yd. hopper - 36" variable speed feeder;
 Low dump height - load by skid steer or backhoe;
 36" End discharge conveyor, 70 yd. stockpile;



State of the art Control Systems

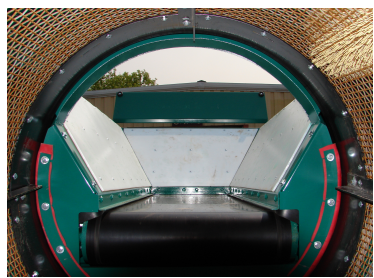


STANDARD

Weight: 10,000 Pounds, standard machine
 Kubota or Caterpillar diesel engine
 12,000lb, electric, braking, highway axle
 Lined low height, high capacity hopper
 Hydraulic landing gear
 Hydraulic folding discharge conveyor
 LED lighting package
 Full weld construction
 Adjustable pintle hitch

OPTIONS

Extra Drums with choice of design
 Hydraulic plumbing for auxiliary attachments



Maximum hopper opening

Quick & easy relocation & set up

Revolver Screening Systems
 530 Governors Rd. Guelph, Ontario
 Canada N1K1E3 Tel: 519 820 4666
 contact@revolvertrommels.com

DEALER INFORMATION



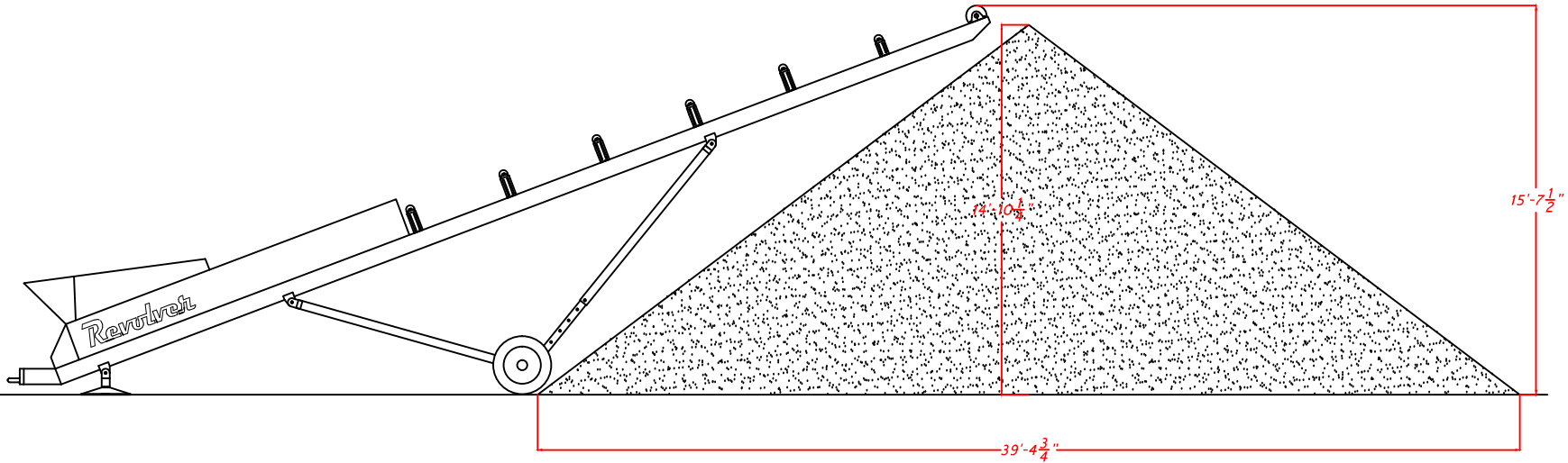
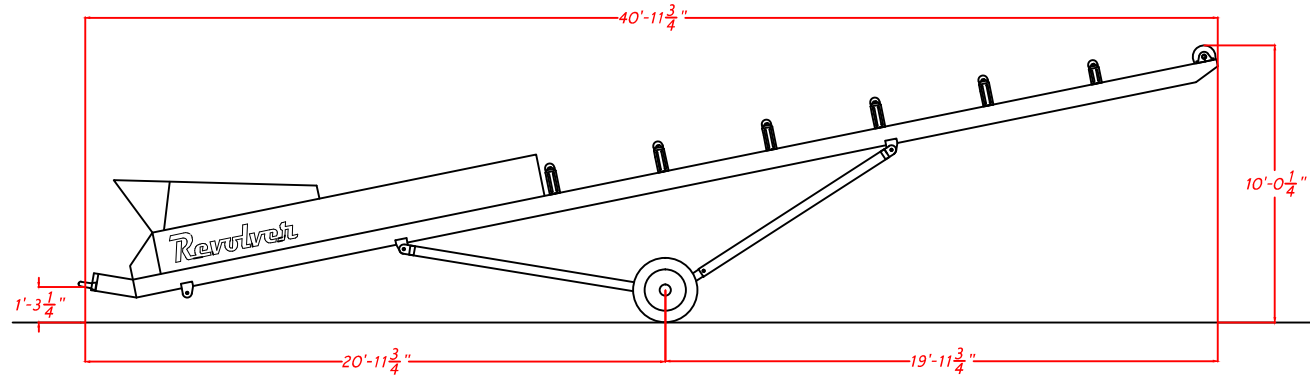
www.ss2parts.com
 877 579 7278



Revolver Screening Systems
www.revolvertrommels.com
contact@revolvertrommels.com
519 820 4666



Revolve Revision note Date Signature/Checked



Model CHR4030

Revolve	Quantity	Title/Item, designative, material, dimension etc	Article No./Reference
Designed by Russ Signe Stevens	Checked by	Approved by - date	Filename Date 04/07/12
Revolver screening		40 ft conveyor	
Edition 0		Sheet 1/1	